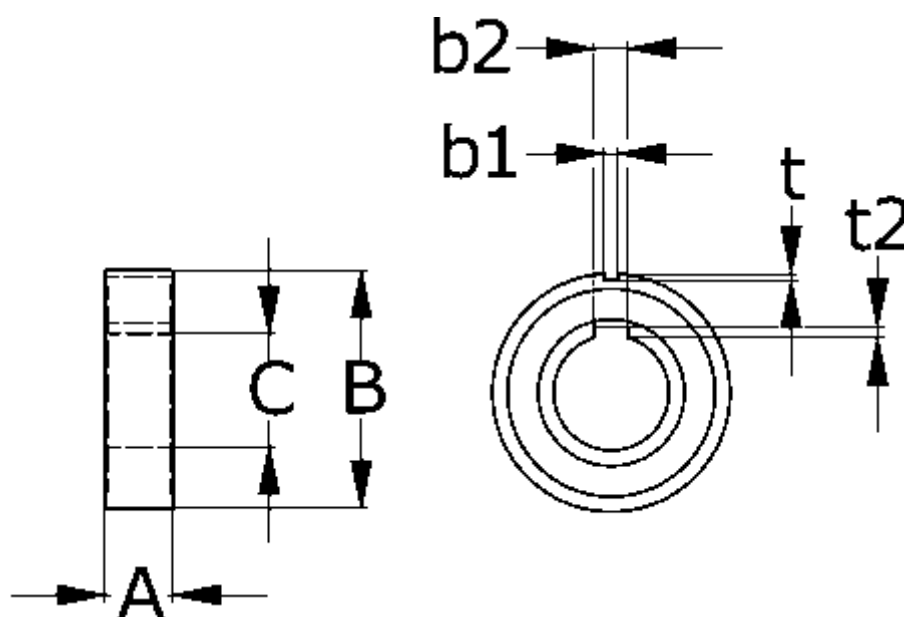


Article number: 5798012503

Description: Tsubaki Cam clutch bearing BB25-2K-K (6205)
d=25 D=52 T=15, with keyway on inner & outer race steel sealed

Measures



A	= 15
B	= 52
b1	= 6
b2	= 8
C	= 25
t1	= 2
t2	= 1.5
Torque (Nm)	= 78